

# Switching Transformer (Original Bobbin)



PIN TYPE WT series

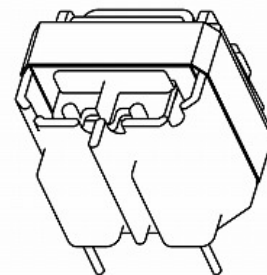
## TYPE : WT16EE

### ■ Product Description

Downsized, Vertical and Lower cost types

Creepage Distance

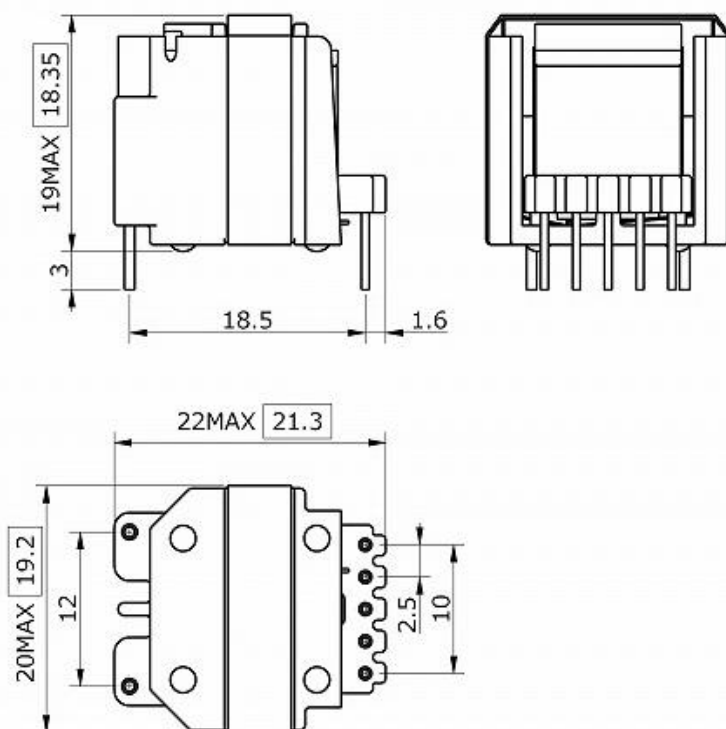
Primary - Secondary : 15mm



### ■ Application & Production

Telecommunications equipment

### ■寸法 Dimensions (unit : mm)



### ■Applicable core

6H20EE16/14C (JSF) , PC40EE16-Z (TDK) , etc.

1. Specifications are subject to change for improvement without notice.

2. Please request us detailed specification.