

Switching Transformer (Original Bobbin)



Model name : GP13A

Switching Transformer (Original Bobbin)

【 Transformer Design Parameter 】

Insulation Class: Class E (120°C)

Pin: 8 (Primary=5 / Secondary=3)

Primary to Secondary Creepage Distance: min 8.0 (mm)

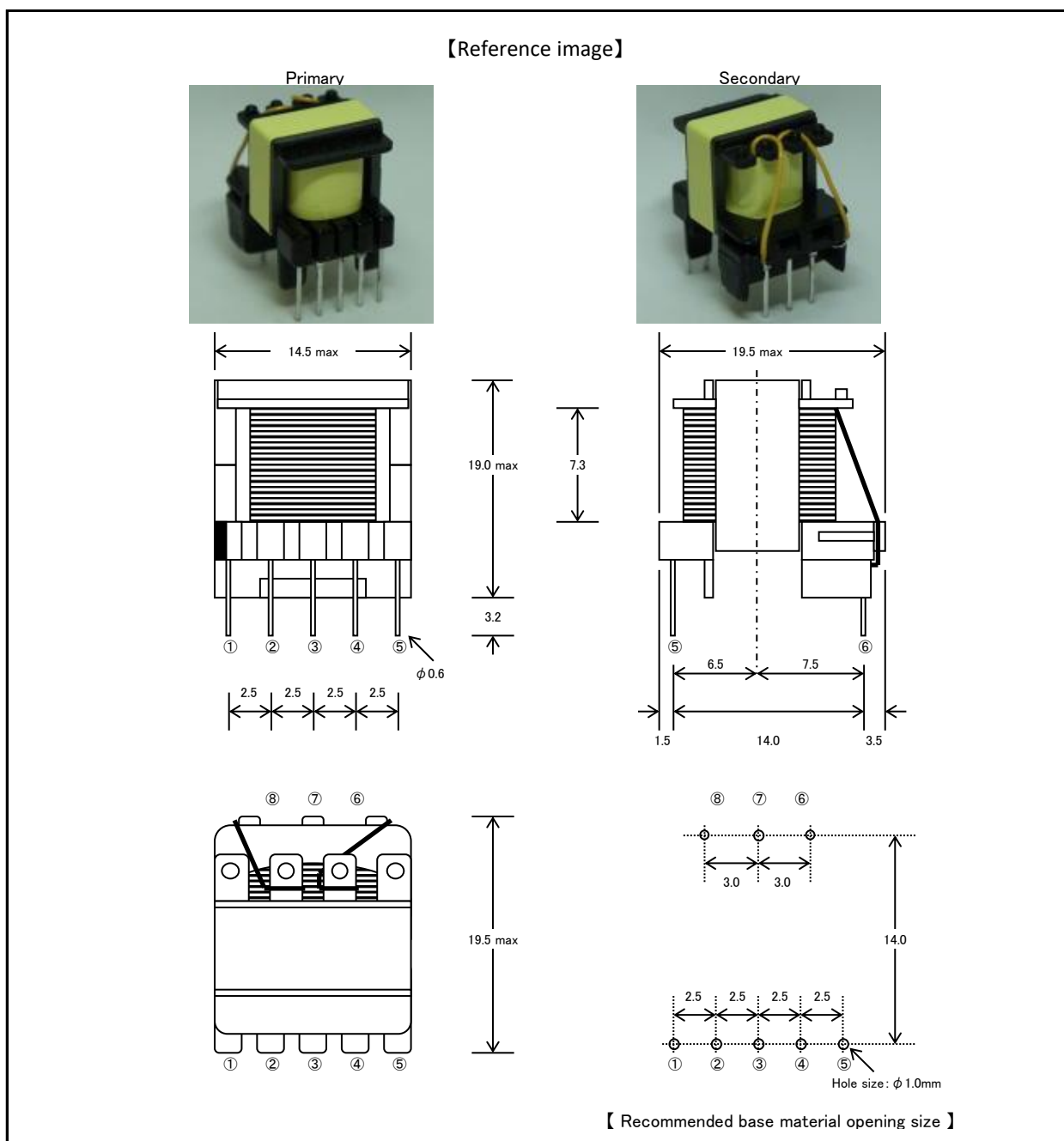
Bobbin Physical Winding Width (BW): 7.3 (mm)

【 Magnetic Parameter 】

Core Effective Cross Sectional Area (Ae): 16.8 (mm²)

Core Effective Path Length (Le): 31.0 (mm)

Ungapped Core Effective Inductance (AL): 1100 (nH/N²)



1. Please request us detailed specification.
2. Specifications are subject to change for improvement without notice.