

# Switching Transformer (Original Bobbin)



Model name : GP13

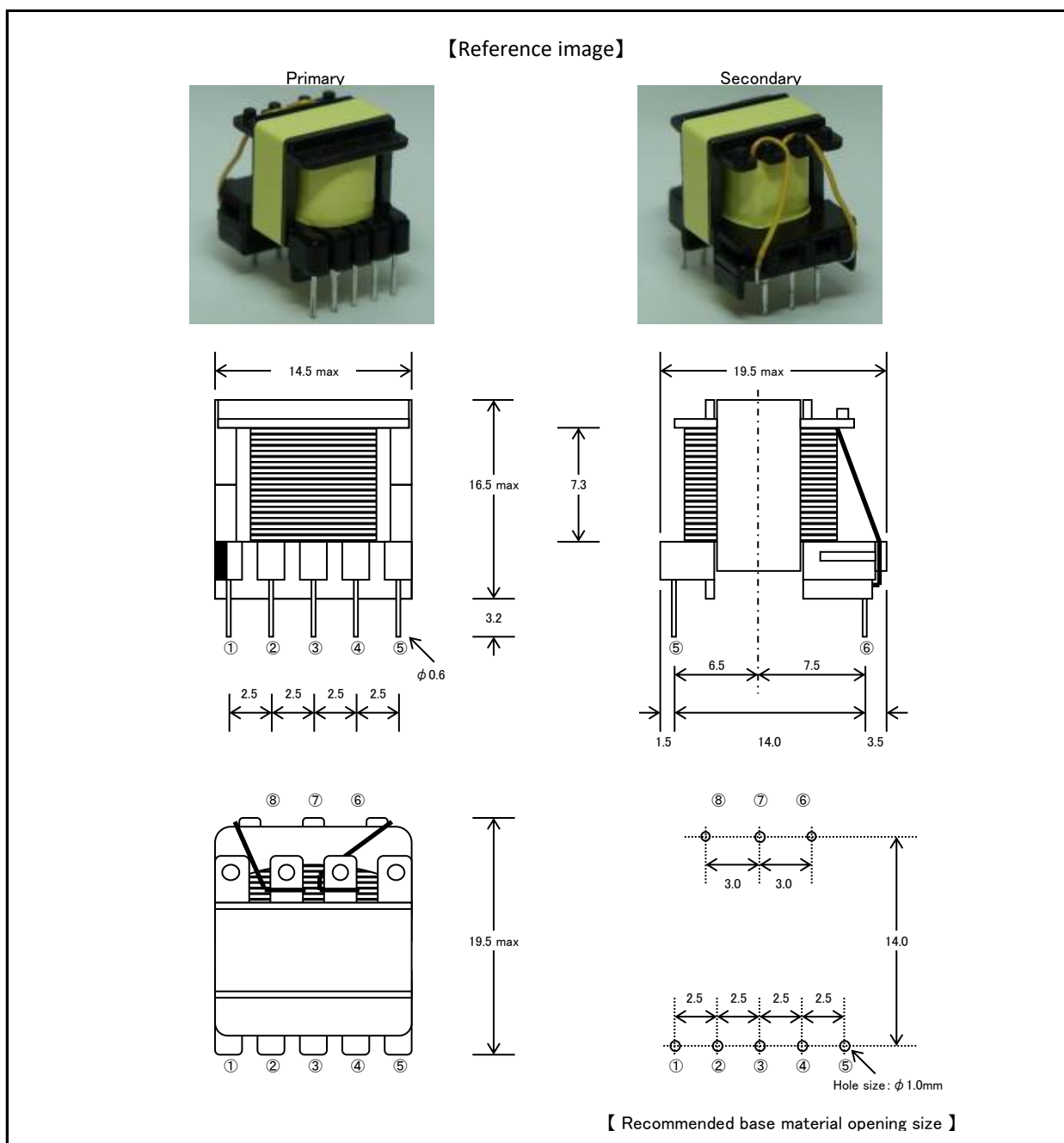
Switching Transformer (Original Bobbin)

## 【 Transformer Design Parameter 】

Insulation Class: Class E (120°C)  
 Pin: 8 (Primary=5 / Secondary=3)  
 Primary to Secondary Creepage Distance: min 6.0 (mm)  
 Bobbin Physical Winding Width (BW): 7.3 (mm)

## 【 Magnetic Parameter 】

Core Effective Cross Sectional Area (Ae): 16.8 (mm<sup>2</sup>)  
 Core Effective Path Length (Le): 31.0 (mm)  
 Ungapped Core Effective Inductance (AL): 1100 (nH/N<sup>2</sup>)



1. Please request us detailed specification.
2. Specifications are subject to change for improvement without notice.