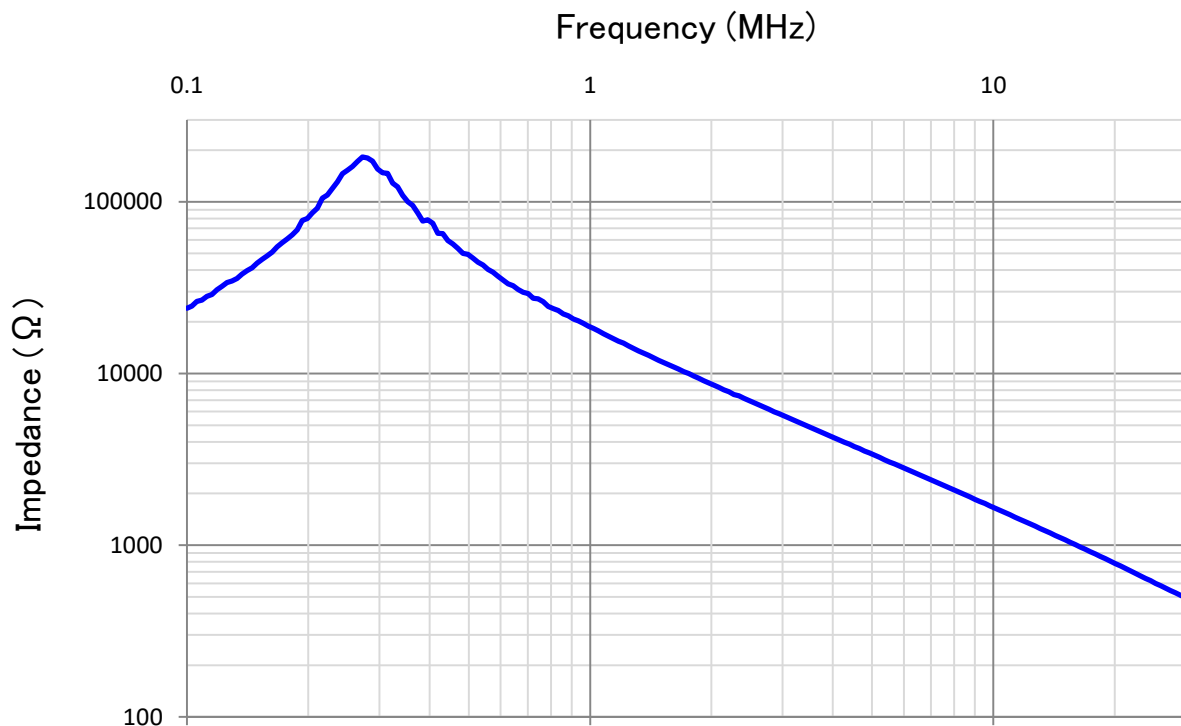
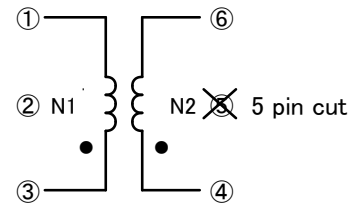
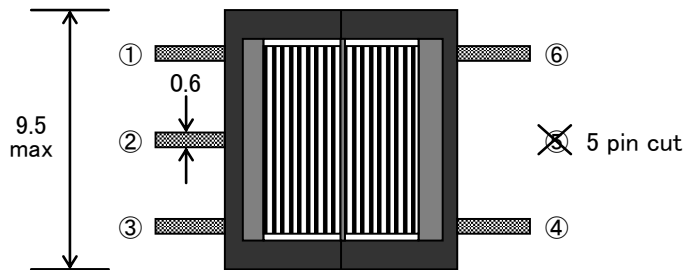
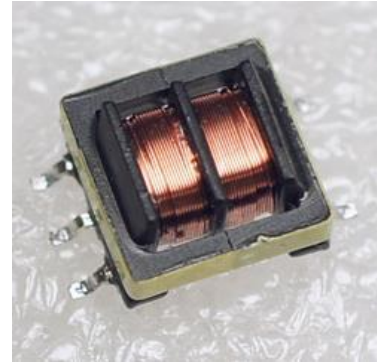
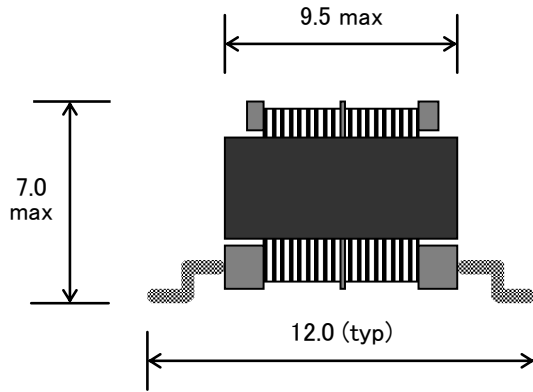


# AC common mode coil : ACME8S



Rated voltage : 125V (AC+DC)

unit: (mm)



Model number	Impedance typ		Current max (A)	DCR typ (Ω)	Inductance typ (mH)
	(Ω)	(MHz)			
ACME8S011303	180k	0.27	0.1	4.2	30.0

1, Specifications are subject to change for improvement without notice.  
2, Please request us detailed specification.