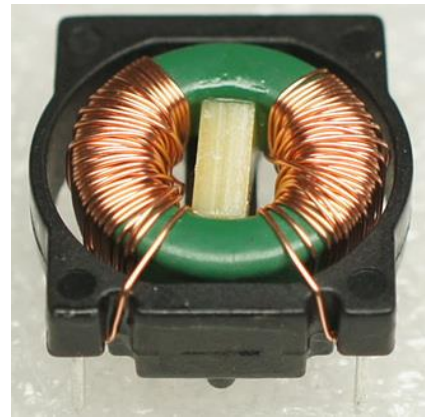
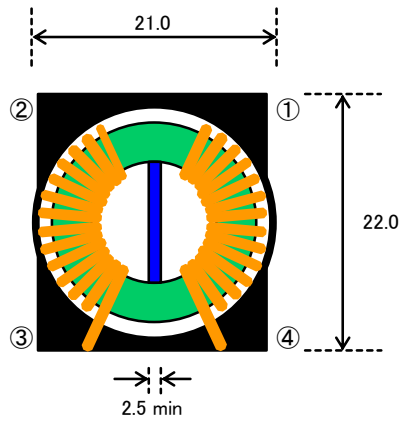
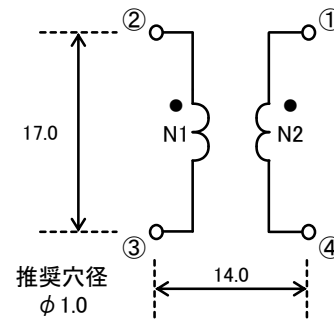
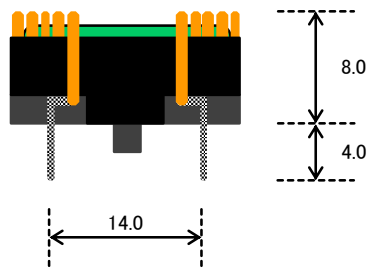


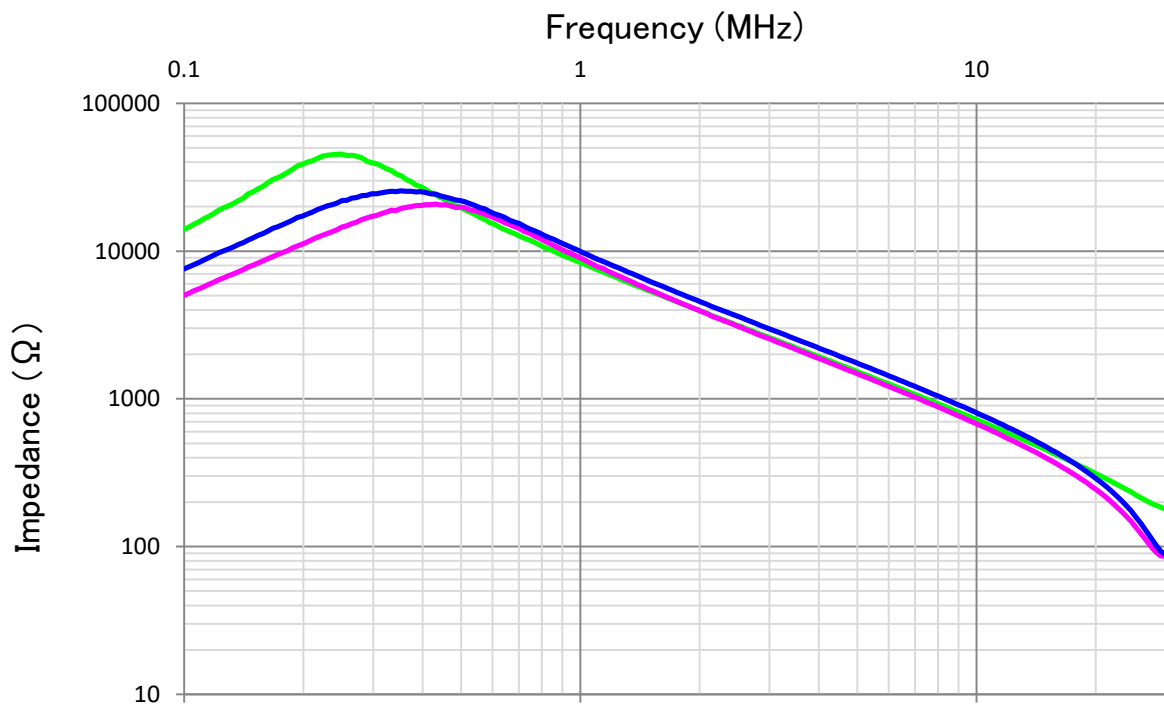
Rated voltage : 125V (AC·DC)



【端子接続・寸法】



unit : (mm)



Model number	Impedance typ (Ω) (MHz)	Current max (A)	DCR typ (mΩ)	Inductance typ (μH)
ACM14H026183	45k 0.25	0.5	350	18000
ACM14H030103	25k 0.35	0.7	250	10000
ACM14H035602	20k 0.43	1.0	150	6000

1, Specifications are subject to change for improvement without notice.  
2, Please request us detailed specification.