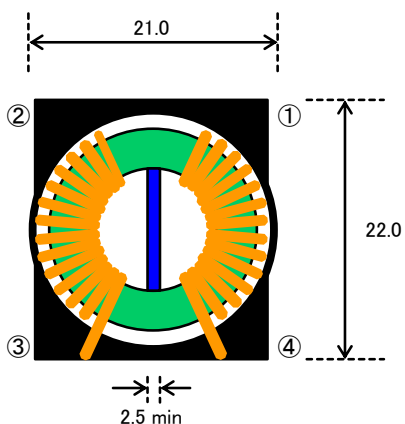
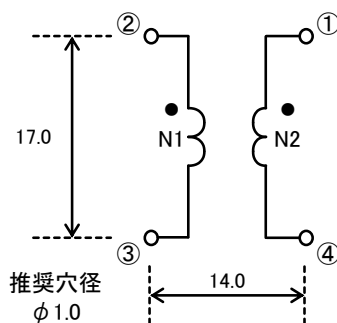
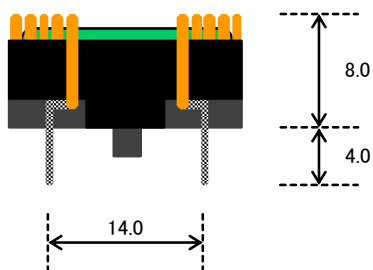


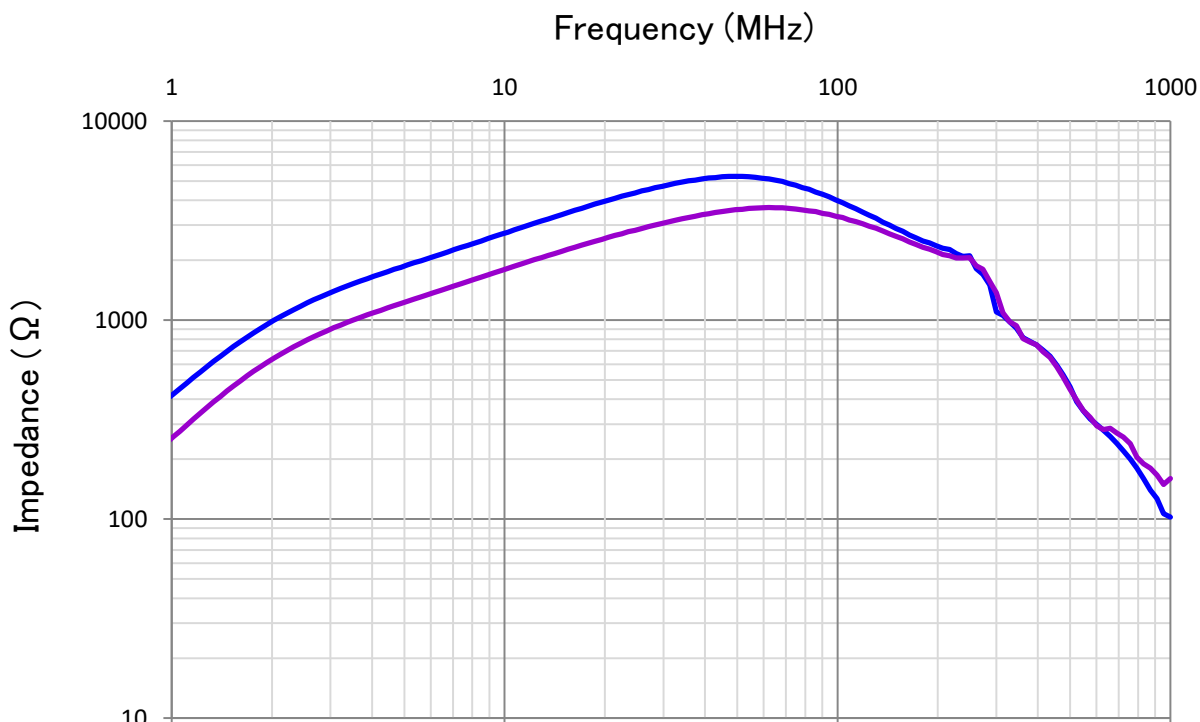
Rated voltage : 125V (AC·DC)



【端子接続・寸法】



unit: (mm)



Model number	Impedance typ (Ω) (MHz)	Current max (A)	DCR typ (mΩ)	Inductance typ (μH)
ACM14CH4016B	5.2k 50	3.0	35	95
ACM14CH5013B	3.7k 65	4.0	20	65

1, Specifications are subject to change for improvement without notice.
2, Please request us detailed specification.