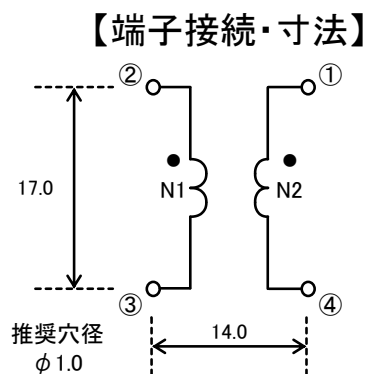
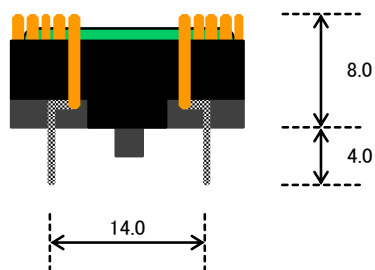
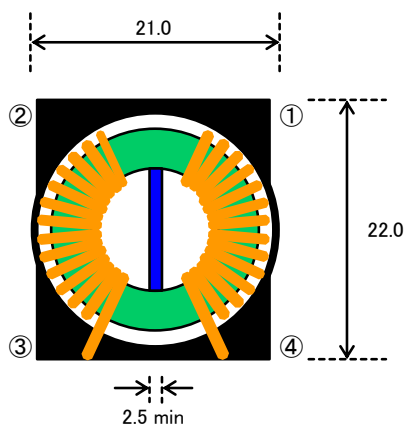
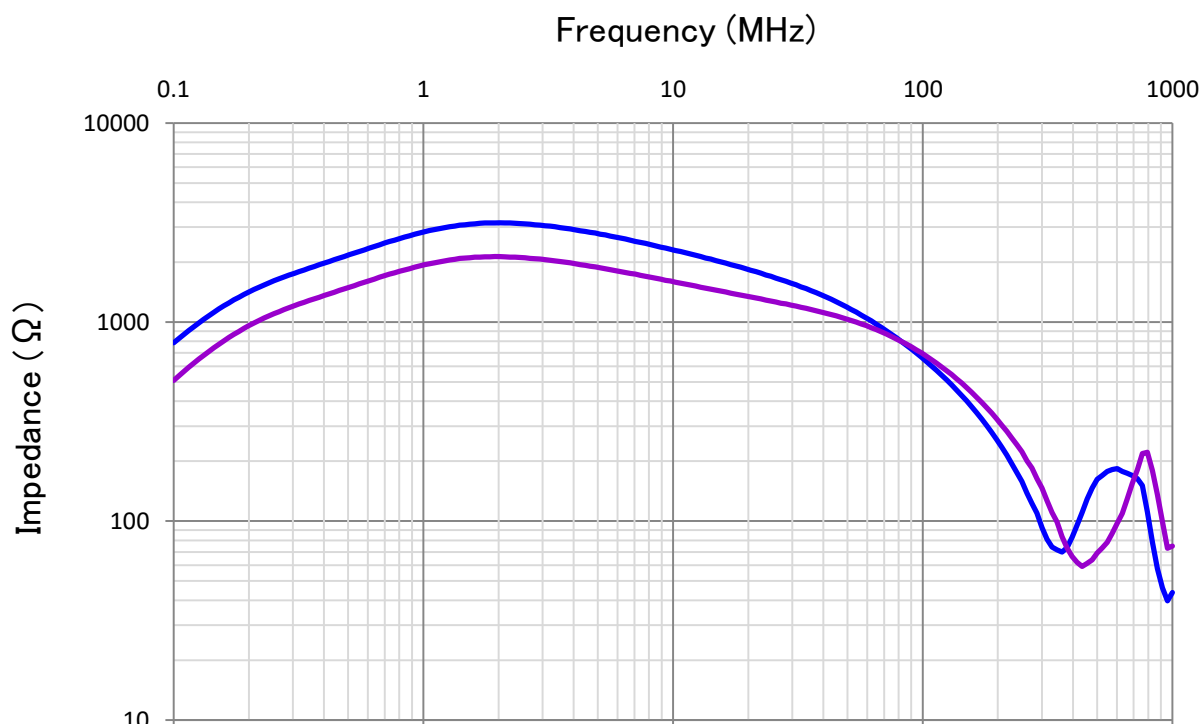


Rated voltage : 125V (AC·DC)



unit: (mm)



Model number	Impedance typ (Ω) (MHz)	Current max (A)	DCR typ (mΩ)	Inductance typ (μH)
ACM14AH4016B	3.1k 2.0	3.0	35	1300
ACM14AH5013B	2.1k 2.0	4.0	20	850

1, Specifications are subject to change for improvement without notice.
2, Please request us detailed specification.